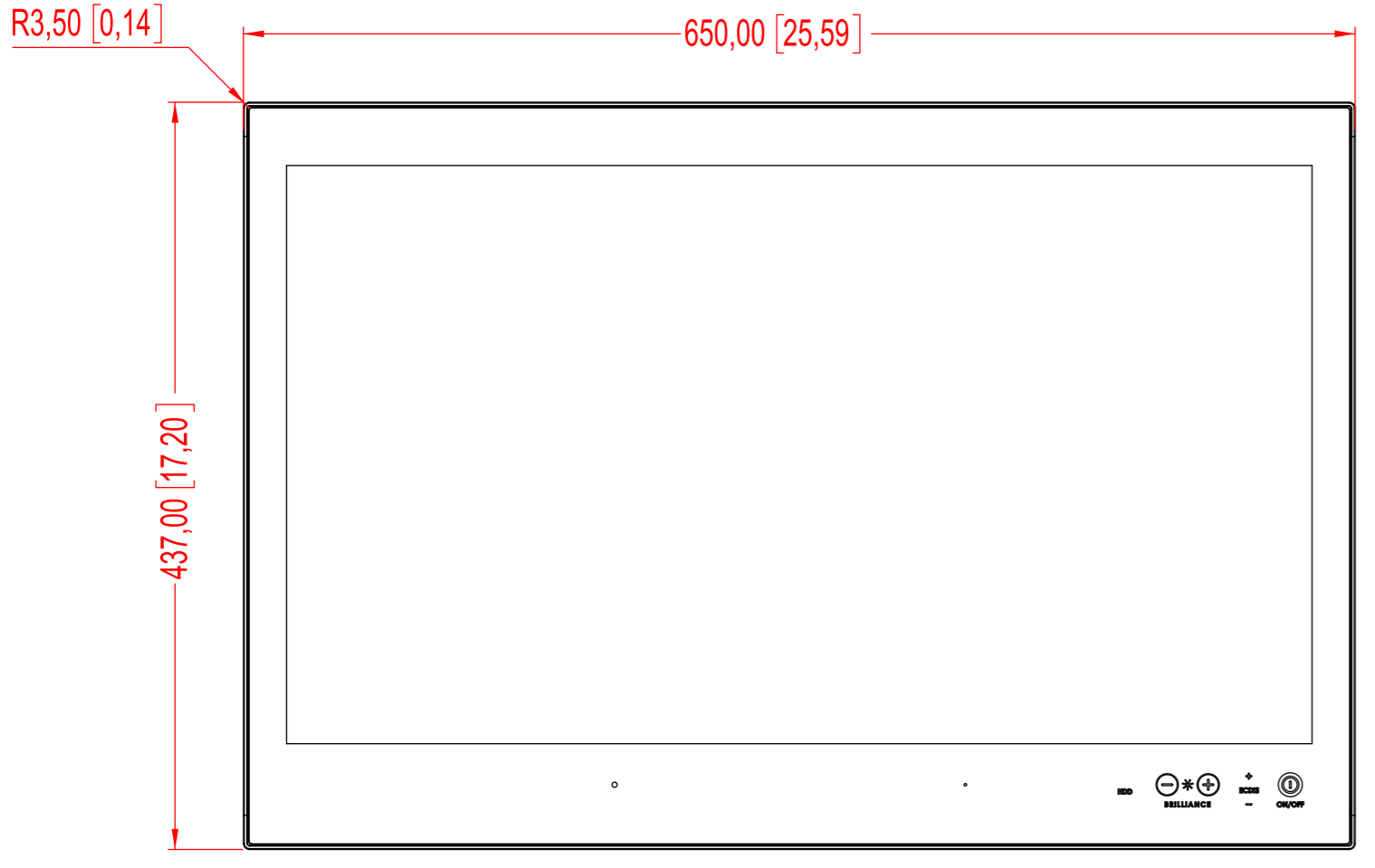
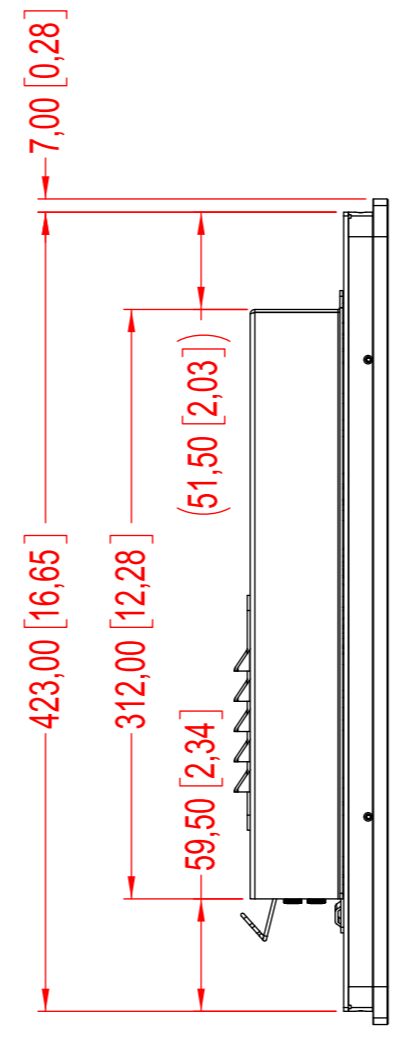


This document is the property of Hatteland Technology AS.
 This document and any authorized reproduction thereof, must not be used in
 any way against the interest of Hatteland Technology AS.
 Any authorized reproduction, in whole or in part, must include this legend.

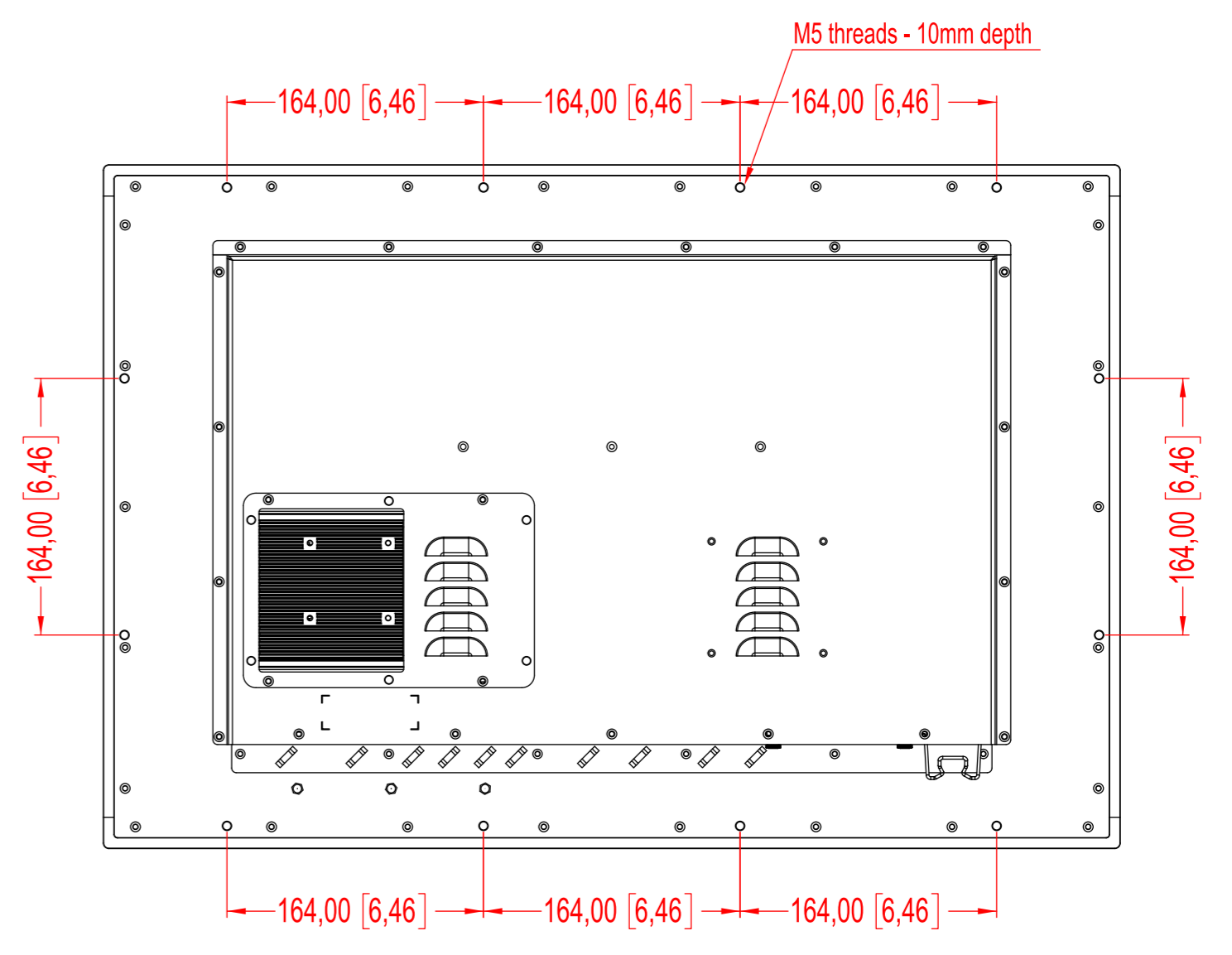
FRONT VIEW



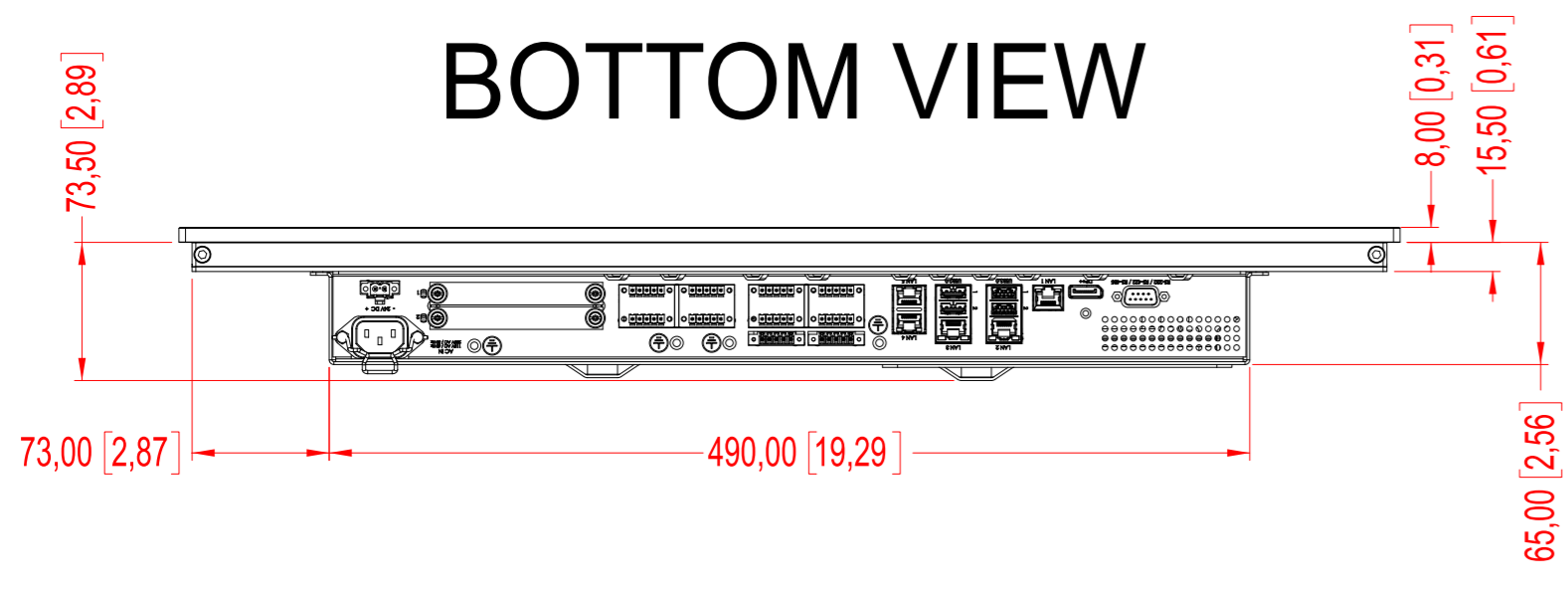
SIDE VIEW



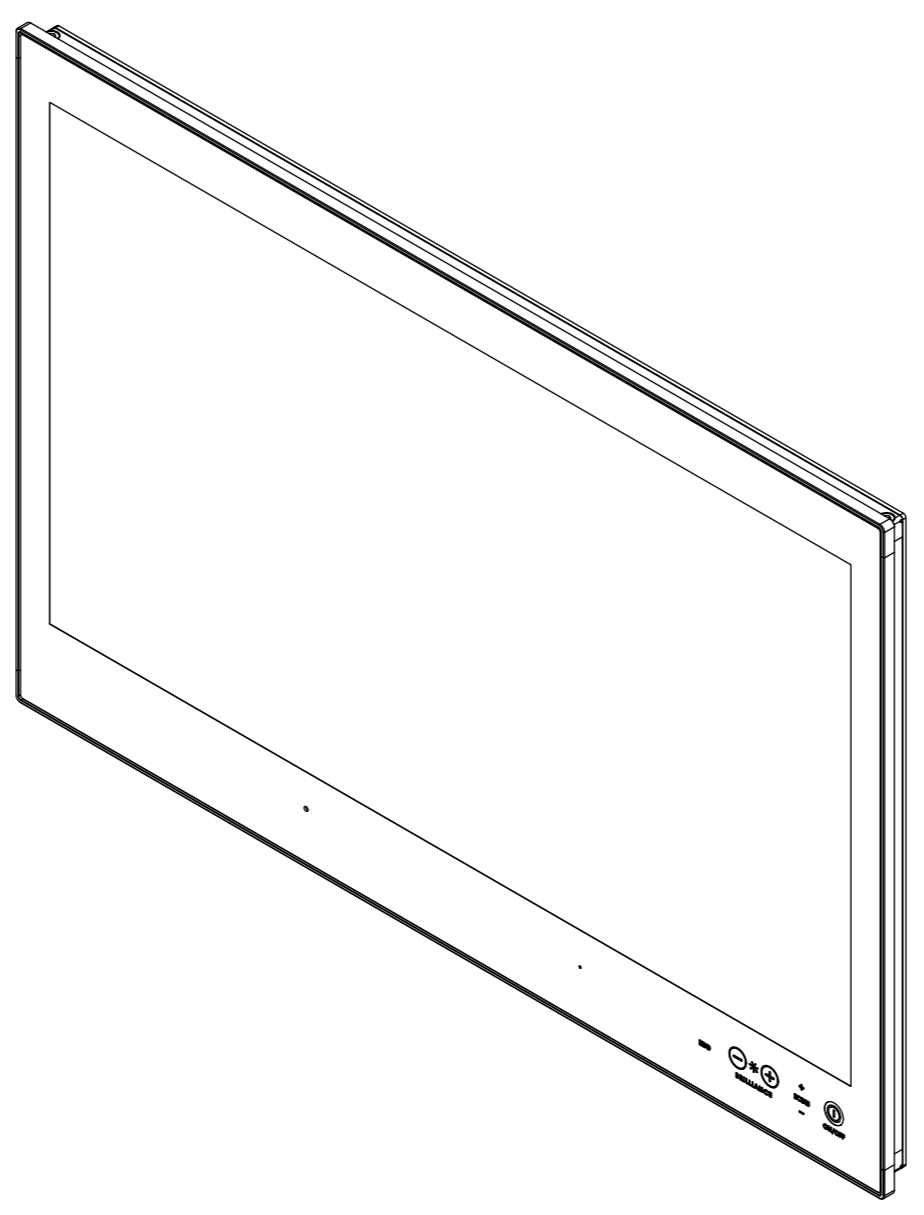
BACK VIEW



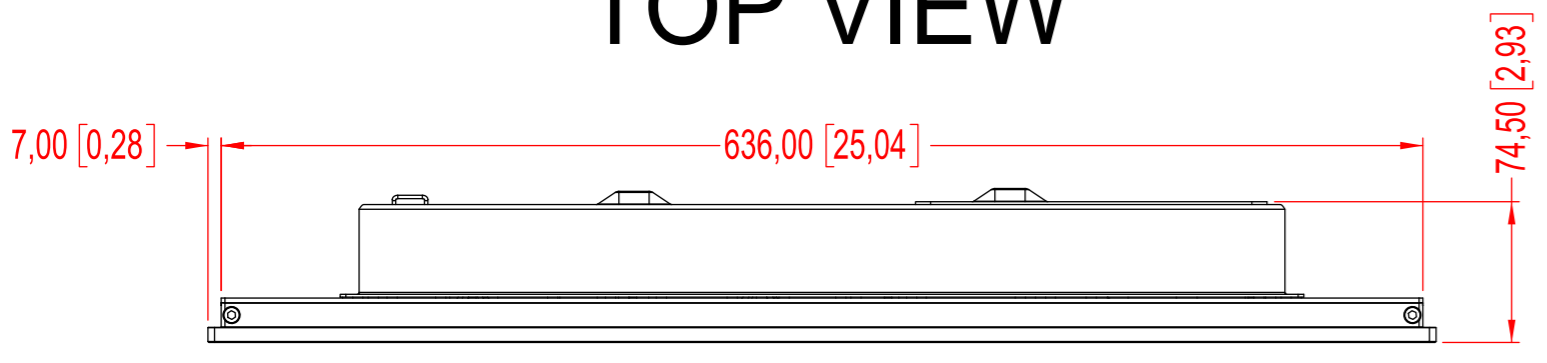
BOTTOM VIEW



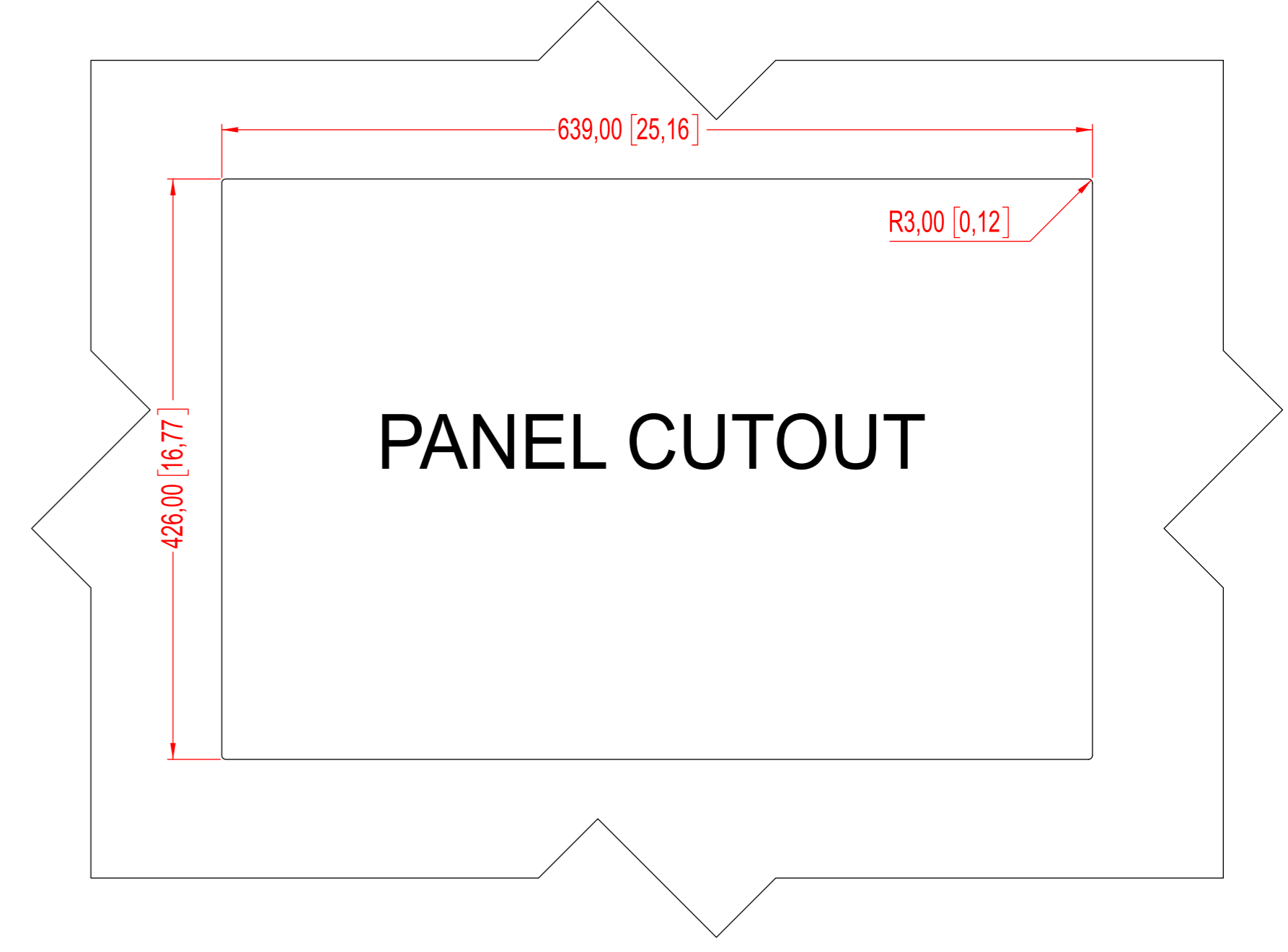
ISOMETRIC VIEW



TOP VIEW



PANEL CUTOUT



Units: mm [inches]

SALES DRAWING HD 27T22 MMC-M82-AAA02D
 shown in this drawing, but measurements generally apply for all HD 27T22 MxC-Mxx-xxxxxx models

Creation date / by:	/ /	Projection:	A1	HATTELAND TECHNOLOGY an EMBRON Company ®
Last rev. date / by:	/ /		Scale: 1:4	
Hatteland Technology AS Eikeskogvegen 52 N-5570 Akedal			Tolerance ISO 2768-mK	Approved by: Revision: Drawing number: Based on A010201